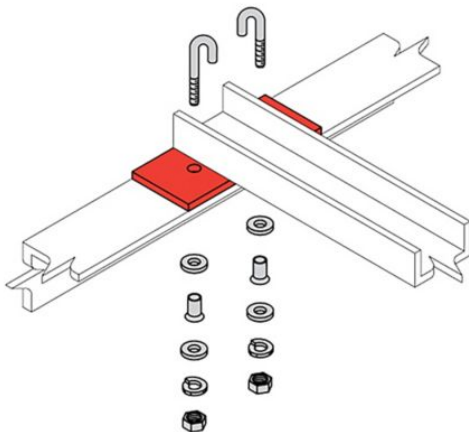


Eaton SB204TG

Catalog Number: SB204TG

Eaton B-Line series runway accessories, Telco gray, Aluminum, 1" X 2" channel splice kit

General specifications



Product Name	Catalog Number
Eaton B-Line series runway accessories	SB204TG
UPC	Product Length/Depth
799038015802	2 in
Product Height	Product Width
1 in	1.5 in
Product Weight	Certifications
0.6 lb	UL Listed

Product specifications

Special features

Telco gray

Type

1" X 2" channel splice kit

Material

Steel

Resources

Catalogs

[Cable runway and accessories section of datacomm catalog](#)

Specifications and datasheets

[Eaton Specification Sheet - SB204TG](#)



Eaton Corporation plc
Eaton House
30 Pembroke Road
Dublin 4, Ireland
Eaton.com
© 2023 Eaton. All Rights Reserved.

Eaton is a registered trademark.

All other trademarks are property of their respective owners.



[Eaton.com/socialmedia](https://www.eaton.com/socialmedia)